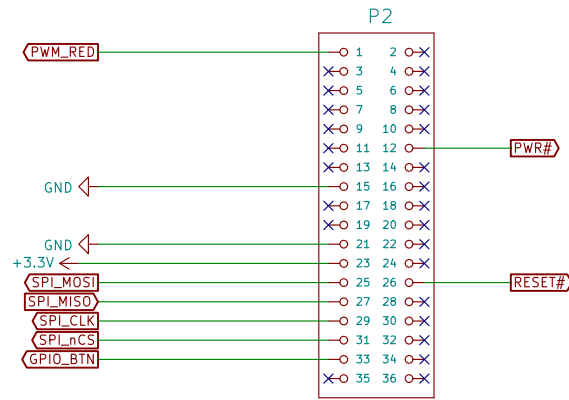
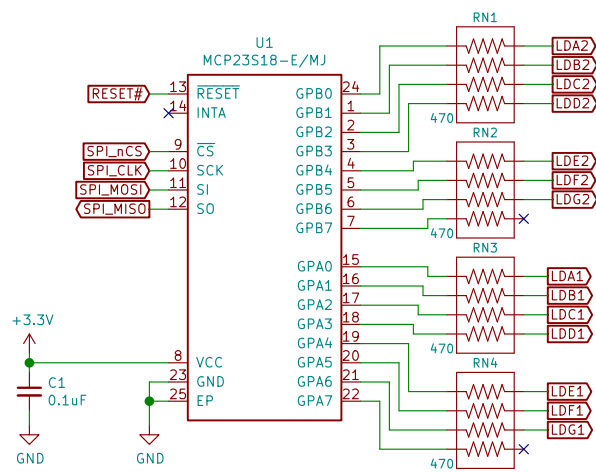
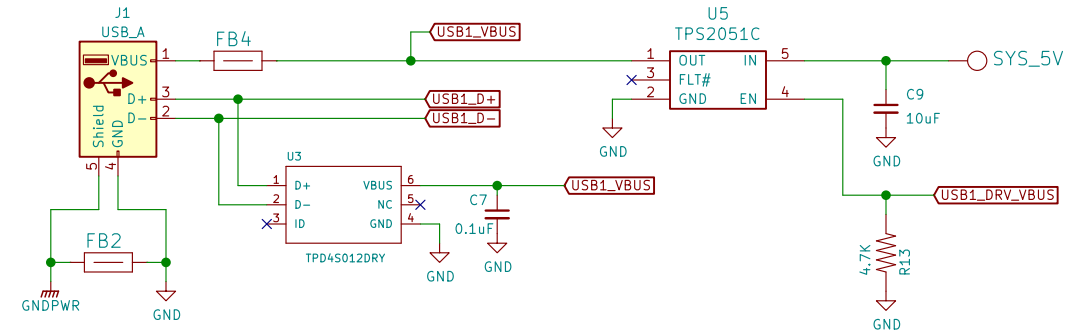


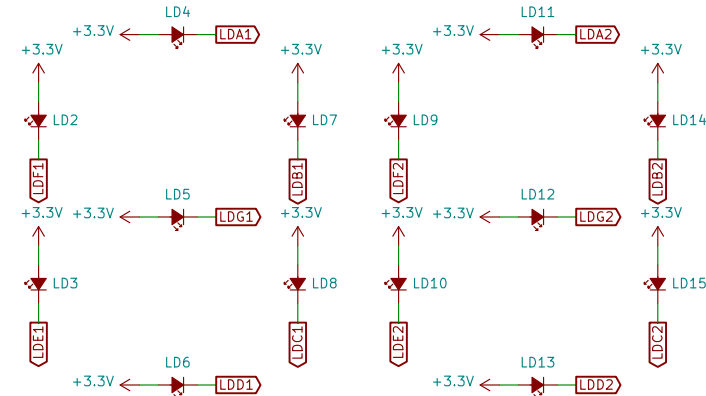
POCKETBEAGLE HEADERS



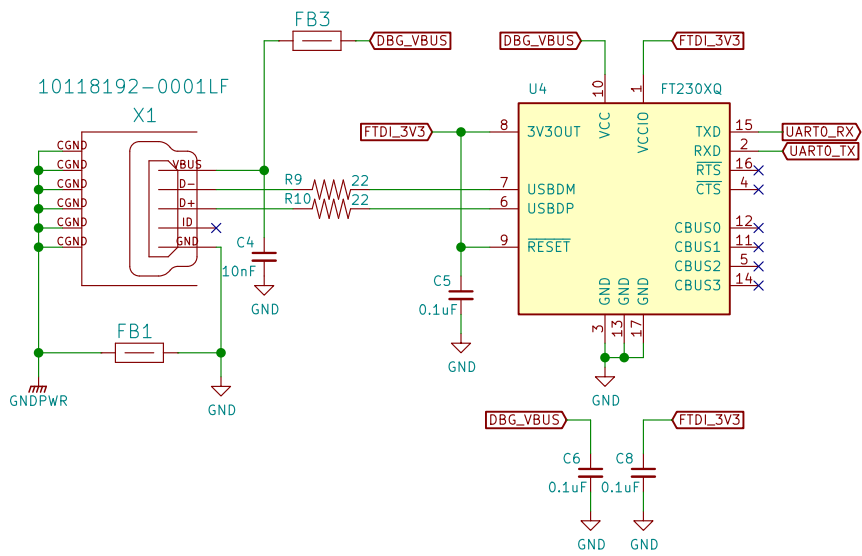
USB1 HOST



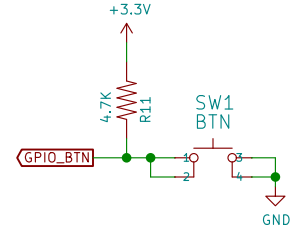
EMULATED 7 SEGMENTS



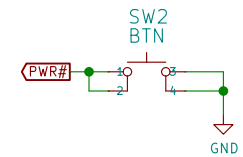
DEBUG CONSOLE



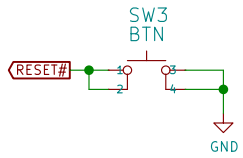
USER BUTTON



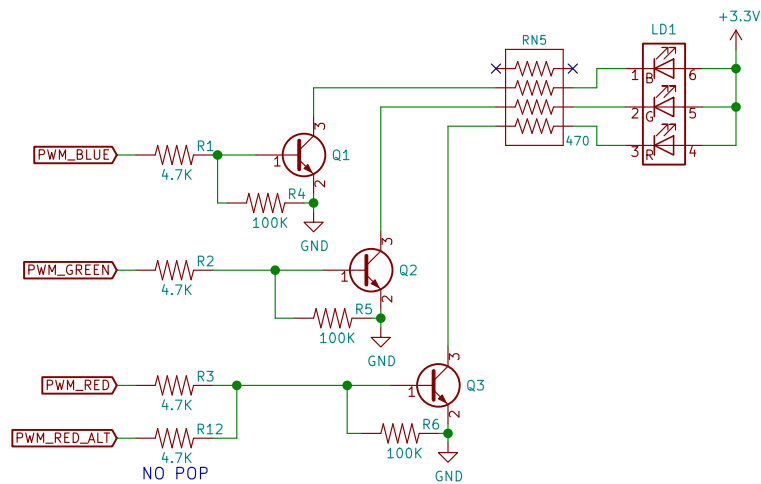
POWER BUTTON



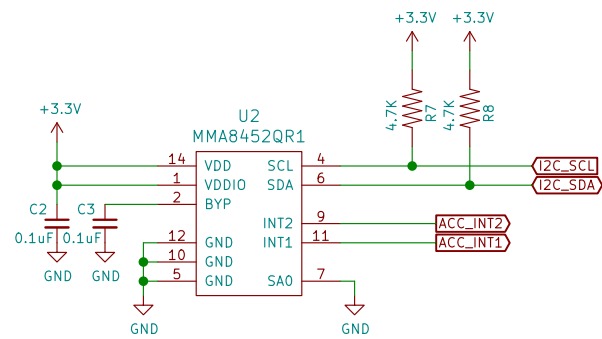
RESET BUTTON



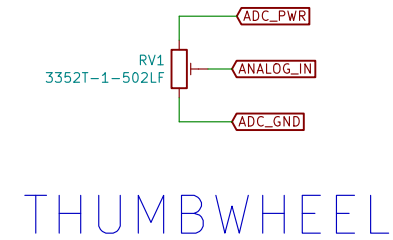
\*G1 FIDUCIAL \*G2 FIDUCIAL



RGB LED



ACCELEROMETER



THUMBWHEEL

QWERTY Embedded Design, LLC

Sheet: /  
File: baconbits.sch

Title: BaconBits Minicape

Size: B Date: 2018-01-29

KiCad E.D.A. kicad (2017-08-02 revision 9760937)-master

Rev: R0

Id: 1/1